



**ARGB**

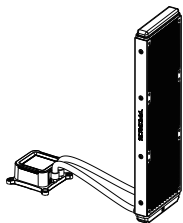
All-in-One CPU  
Liquid Cooler



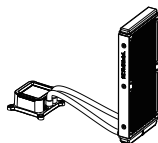
# Component List

# T-FORCE

**A** x1



**B** x1



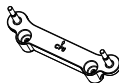
**C** 240MMX2  
360MMX3



**D** x2



**E** x2



**F** x4



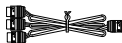
**G**  
240MMX8  
360MMX12



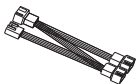
**H**  
240MMX8  
360MMX12



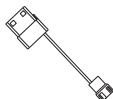
**I** x1



**J** x1



**K** x1



**L** x1



(Option Kit)

**M** x1

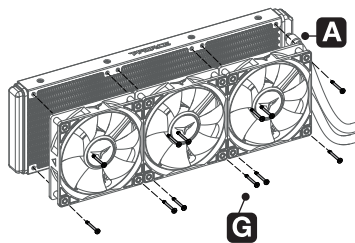


(Option Kit)

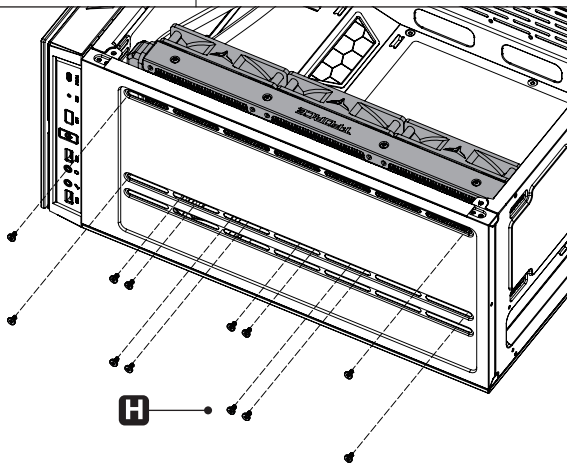
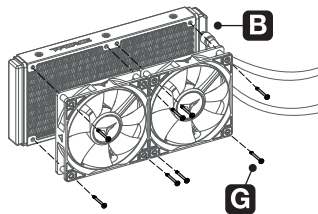
**N** x1

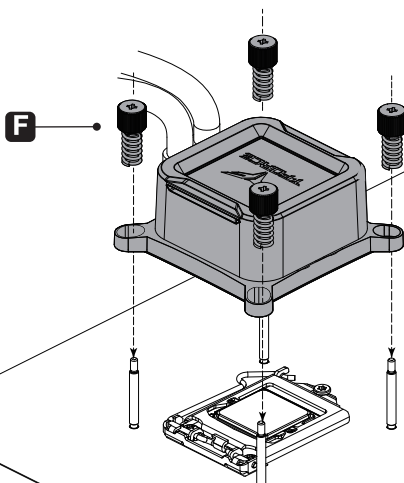
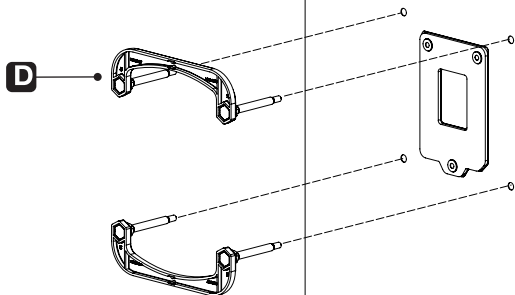


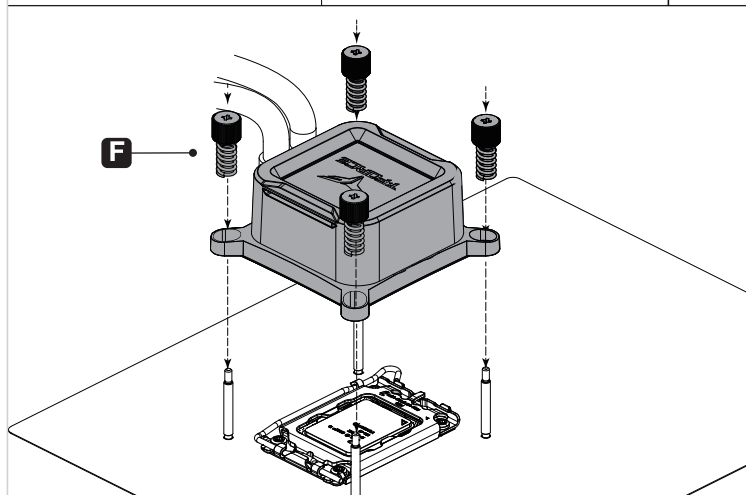
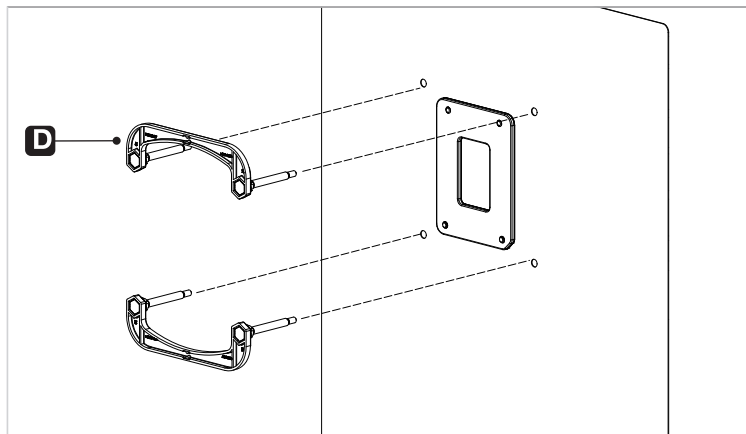
Fan & 360 Radiator

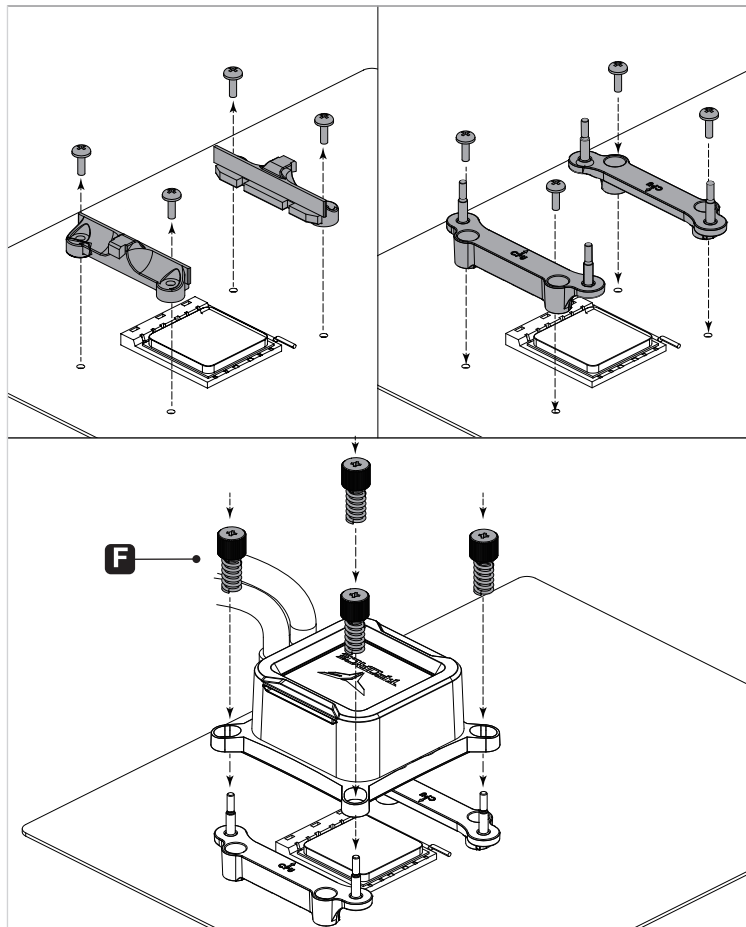


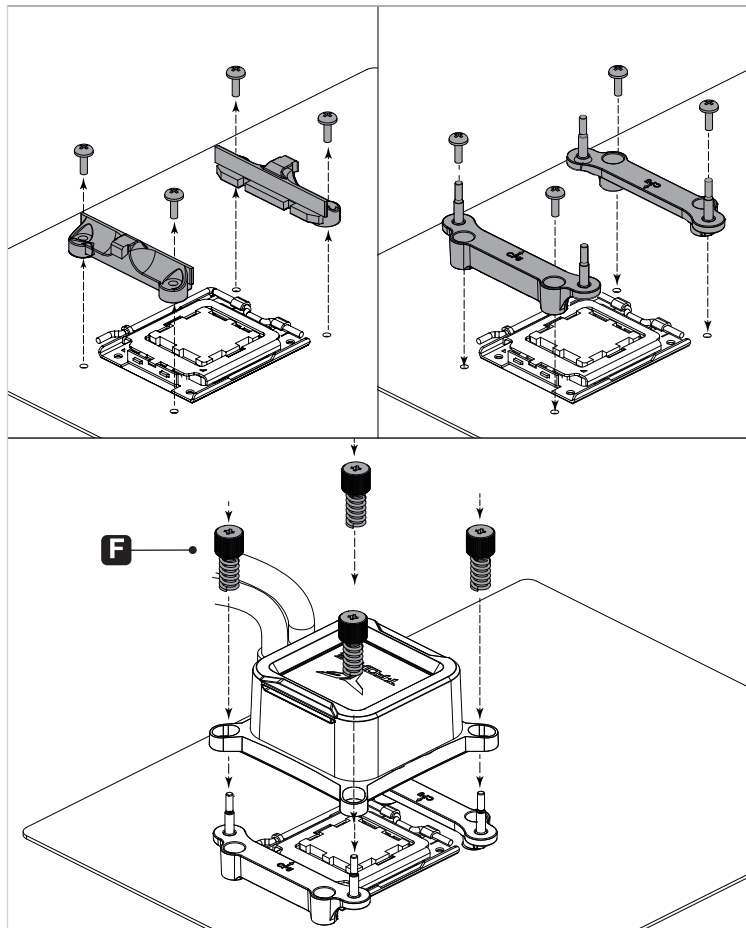
Fan & 240 Radiator

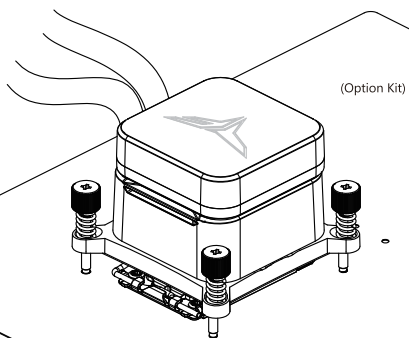
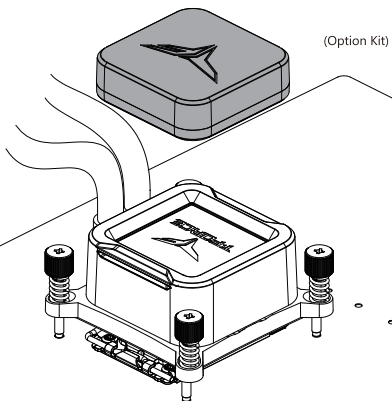








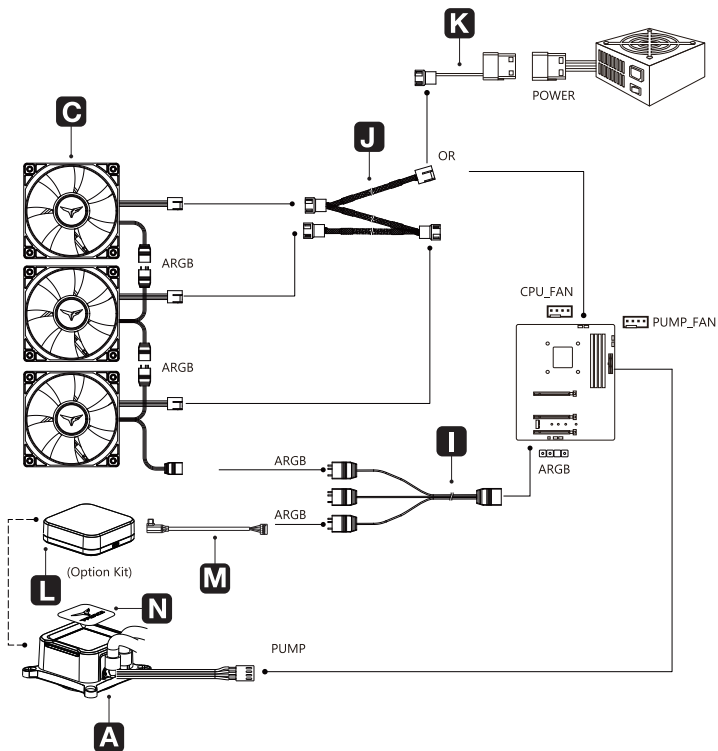






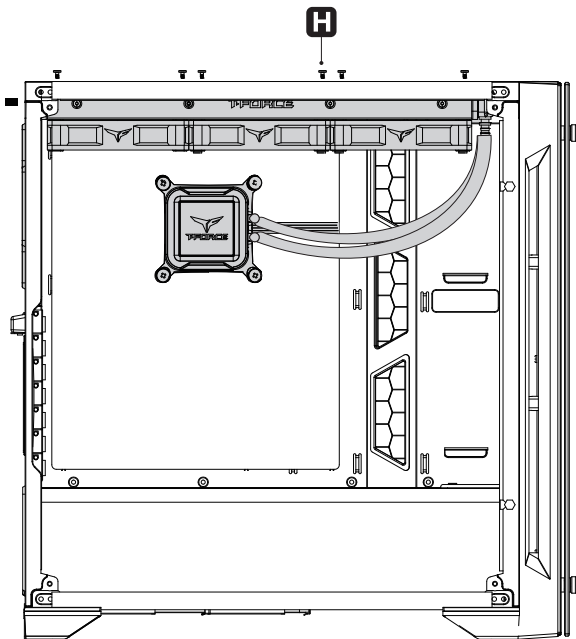
# SIREN GA240M / GA360M ARGB AIO CPU Cooler Installment Suggestion

# T.FORCE



SIREN GA240M / GA360M ARGB AIO  
CPU Cooler Installment Suggestion

T.FORCE



## English

- 1.If there are damages to the AIO Liquid Cooler within the scope of the warranty and warranty period, you may file an application to replace components. Consumable accessories such as adapter cords, adapters, power cords, screws, clasps, and gaskets are not within the scope of the warranty.
- 2.TEAMGROUP reserves the right to withhold warranty services if the serial number has been removed damaged or cannot be identified due to intentional obstruction.
- 3.The warranty does not cover the product's software or any damages caused by misuse, natural or artificial disasters, unauthorized changes, repairs, reassembly, or alterations. Please install the AIO Liquid Cooler according to instructions from the attached manual or the TEAMGROUP website.
- 4.The warranty does not cover malfunctions or failures from external factors such as dust, humidity, liquid damage , or damages from improper shipping and handling ( please make claims to the shipping company).
- 5.TEAMGROUP applies pioneering technology to update products to ensure TEAMGROUP can meet market demands. As such, TEAMGROUP reserves the right to make changes and alterations or terminate outdated models without prior notice. If the model is discontinued, TEAMGROUP reserves the right to decide whether to repair the product or replace the product with an equivalent product. In the event that there are no equivalent products, TEAMGROUP may choose to refund you with an amount less than the purchase price or equivalent to the product's current value.
- 6.For any matters not mentioned herein, please contact <https://support.teamgroupinc.com/en/support/> and provide a detailed description of the problem and proof of purchase.

## 繁體中文

1. 保固期限內，符合保固規範所造成的 AIO一體式水冷產品損壞，可申請更換零件，但消耗型配件非保固條款涵蓋範疇，如：轉接線、轉接頭、電源線、螺絲、扣具、墊片。
2. 產品本體序號如有被撕毀、污損、或受到人為影響導致無法辨識，十銓科技有權力不予提供保固。
3. 保固不包含任何產品中軟體部份或非產品正確用法、自然或人為災難、未授權的改變、維修、重組與變更所造成的產品損壞，請依照隨附說明書與官網說明進行安裝。
4. 因產品積塵、受潮、液體類侵入產品等外部因素導致功能失效或運作不順；或申請保固後，在運送或是搬運維修的過程中所造成損壞與故障( 索賠必須向其貨運公司提出申請 )，皆不列入保固範疇。
5. 十銓科技為確保產品能夠滿足市場需求，並採用前瞻技術持續更新產品， 我司保留不需先行通知隨時變更與修改之權力，或停止生產已過時的產品型號。若產品停產，十銓科技得自行決定修復產品或以同等產品替換，若無可替換之產品，將斟酌退還少於購買價格或產品當前等值的金額。
6. 為避免技術上或文字上疏漏，在使用十銓科技AIO水冷產品的過程中如有遇到任何問題或疑問，歡迎聯繫 <https://support.teamgroupinc.com/tw/support/>，並提供問題的詳細敘述及購買證明。

T-FORCE SIREN GA240M / GA360M ARGB AIO CPU Cooler



Ver.02



**TEAMGROUP**   
3F., No.166, Jian 1st Rd., Zhonghe Dist., New Taipei City 23511, Taiwan  
**[www.teamgroupinc.com](http://www.teamgroupinc.com)**  
Note: Please check TEAMGROUP website for warranty policy.  
Customer Service Email: [rma@teamgroup.com.tw](mailto:rma@teamgroup.com.tw)

